



Truly Waterproof Limit Switches

CPI's limit switches have a proven track record on commercial floor care equipment, typically mounted on the bottom of the machine where no other components will survive.

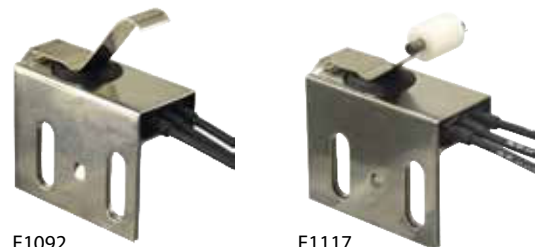
Reliable operation under exposure to wet conditions, dust, vibration, and shock.

- All stainless steel actuators & brackets
- Sealed to IP68
- UL Listed
- Sealed connectors/terminals available



E1221

E1278



E1092

E1117

Specifications

Electrical rating:

E1s: (28VDC / 120VAC): 5 amps resistive, 3 amps inductive. Higher ratings available on special order. UL recognized for 120VAC, 5 amp resistive rating upon request.

Endurance: 100,000 to 5 million cycles (depending on configuration)

Operating temperature range: -50F to 221F

Environmental resistance: Excellent resistance to both high and low temperatures, acids, alkalis, salt spray, sand, dust, fungus, and cleaning chemicals.

Applications

- Hopper up/down detection
- Squeegee up/down detection
- Battery tray in/out position detection
- Battery charge cable position detection

For performance specifications and more product details, please visit our website or contact us

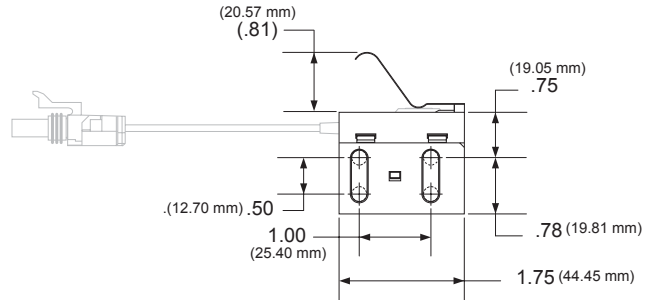
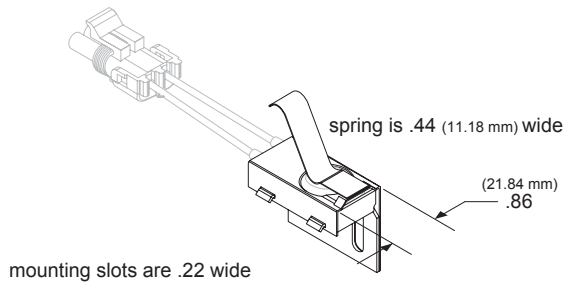
www.cpi-nj.com • sales@cpi-nj.com

Control Products, Inc.
E. Hanover, NJ
Ph: (973) 887-9400
Fx: (973) 887-5083



General Product Dimensions

E1092 angle mount limit bracket with simulated roller actuator
(shown as example - please visit www.cpi-nj.com for other mounting/actuator configurations)



E1112 = opposite angle

Wire Terminations, Connectors and Wire Coverings



Along with CPI's offering of standard wire and cable leads, we also have available special terminations to meet your specifications. Variations include special color-coded wire, BUNA-N, coil cords, and alternative wire gauges. Connectors, wire markers, and sleeving may also be specified, creating a complete switch/harness assembly.

The main advantage is that you will receive a complete assembly from CPI rather than a third-party harness house. In addition, you will receive the highest quality possible, as CPI is your most qualified source when it comes to integrating terminations with our sealed switches.

