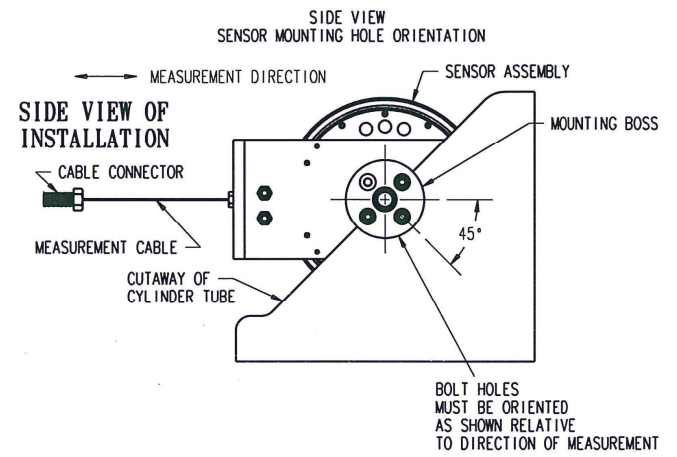
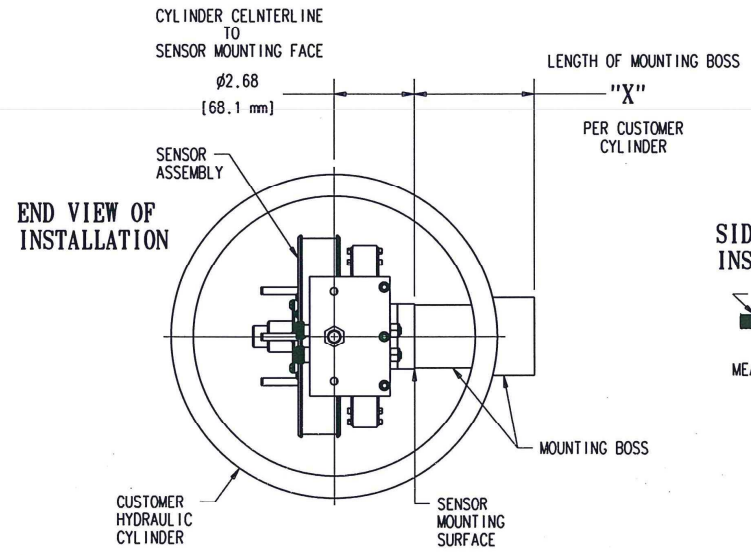
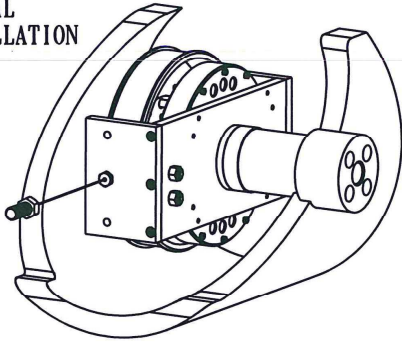


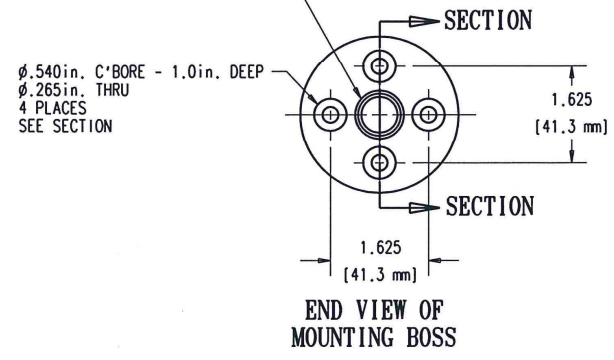
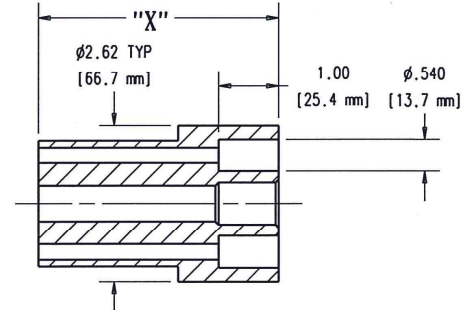
CUTAWAY PERSPECTIVE TYPICAL INSTALLATION



- (A) THIS IS A HIGH-PRESSURE PORT THERE ARE 2 THREAD OPTIONS:
- 1). SAE 3/4-16 THREADED PORT PER SAE J1926/1
 - 2). M18 X 1.5 THREADED PORT PER DIN ISO 6941-1

⚠ PORT MUST BE PROPERLY CONFIGURED FOR HIGH-PRESSURE SEAL ⚠

MOUNTING BOSS DETAILS



THIS INSTALLATION IS INTENDED FOR USE WITH (4) 1/4-28 BOLTS AND HIGH-PRESSURE SEALING WASHERS.
 CONSULT CPI FOR CORRECT BOLT LENGTH FOR YOUR SPECIFIC APPLICATION

				UNLESS OTHERWISE SPECIFIED DIMENSIONS ARE IN INCHES		APPROVALS		DATE	
				TOLERANCES ARE:		DRAWN		2/14/17	
						CHECKED			
				MATERIAL		ISSUED		2/21/17	
REVISIONS				FINISH AND HEAT TREAT					
THE INFORMATION FURNISHED HEREIN IS THE PROPERTY OF CONTROL PRODUCTS, INC. AND SHALL NOT BE USED, DISCLOSED TO OTHERS, OR COPIED WITHOUT THE EXPRESS WRITTEN CONSENT OF CONTROL PRODUCTS, INC.									
						DO NOT SCALE DRAWING			
CPI CONTROL PRODUCTS, INC. EAST HANOVER, NEW JERSEY WWW.CPI-NJ.COM						TITLE 10 METER HYBRID LINEAR SENSOR TYPICAL INSTALLATION IN CYLINDER			
SIZE		SCALE		DRAWING NO.		SHEET			
B		NONE		ES-1-176		1 OF 1			