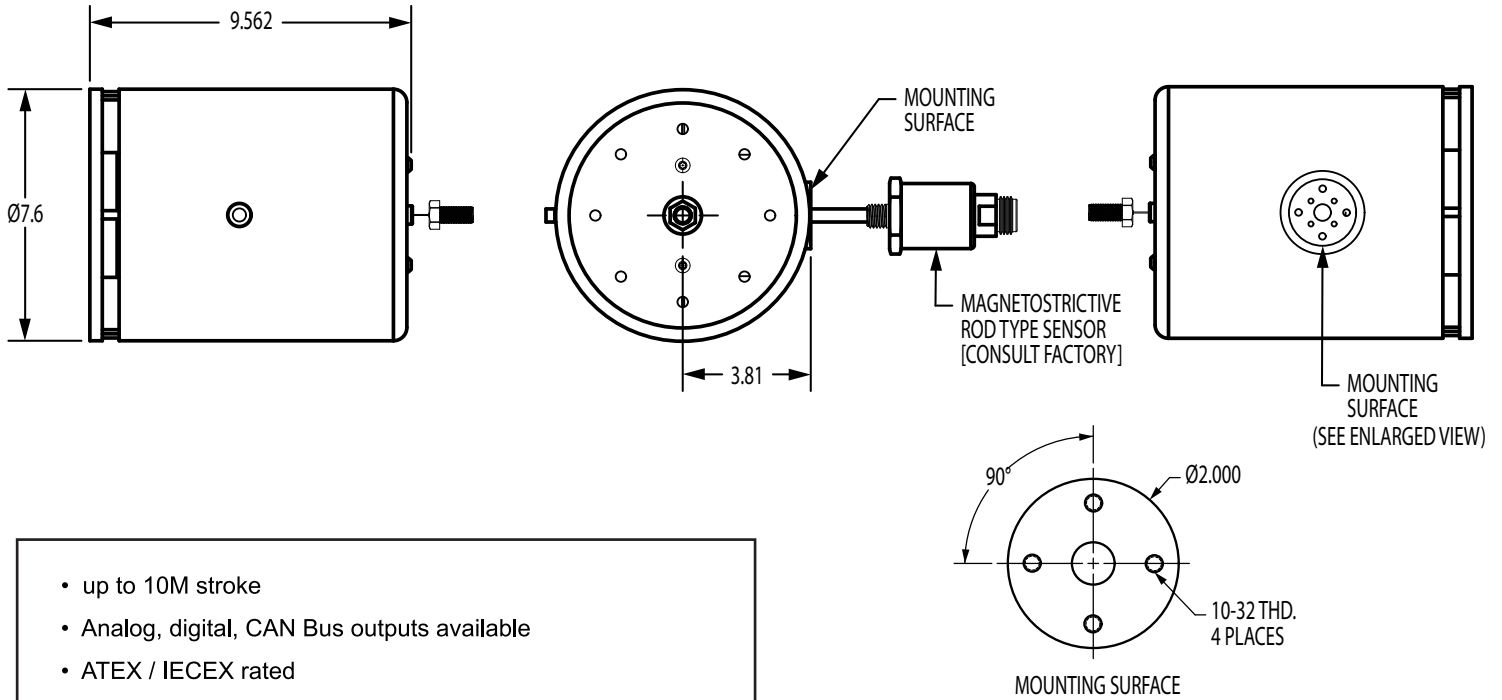


SL2000 Linear Position Transducer

Subsea / Intrinsically Safe, 10 Meter



DIMENSIONS IN INCHES

- up to 10M stroke
- Analog, digital, CAN Bus outputs available
- ATEX / IECEX rated
- Subsea capable
- Built-in Redundancy available

Coupling short-stroke magnetostrictive sensors to our patented linear-to-rotary-to-linear draw wire technology leverages the extensive development behind these sensors. Since only a short probe is required, we eliminate typical concerns of shock/vibration, rod deflection, and end of stroke dead zones, while dramatically extending linear sensing capability. Sensor heads can be fitted with customer specified connectors, including subsea rated designs (pictured).



Sensor shown installed in mock cylinder, 5" inside diameter.

Sensor Specifications

Sensing Range: 0 -10 meters

Non-linearity: 2% FS Max.

Shock & Vibration: MIL-STD 810C (draw wire mechanism)

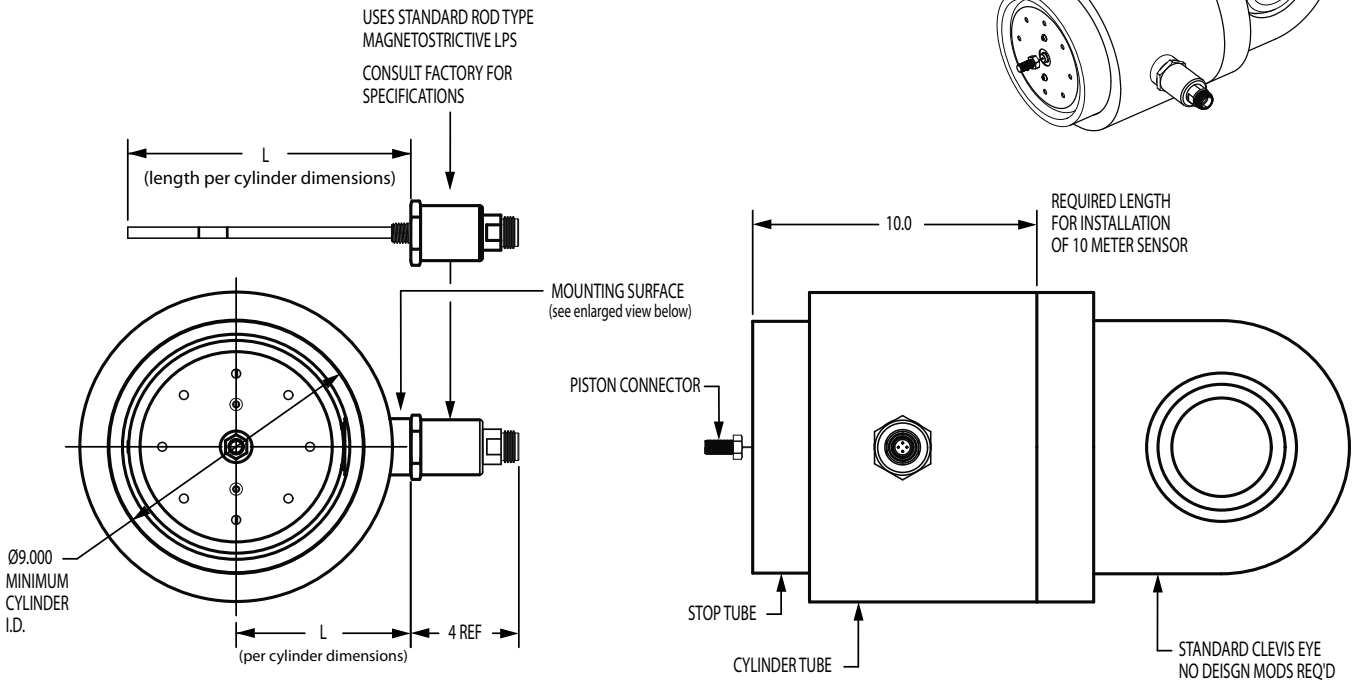
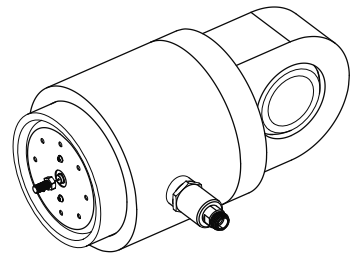
Fluid Compatibility: all non-corrosive liquids & gases

Output: Analog, digital, CAN Bus outputs available

Port Connection: 3/4-16 SAE Port or M18

Endurance: 1 million full-stroke cycles

Installation Dimensions



DIMENSIONS IN INCHES

