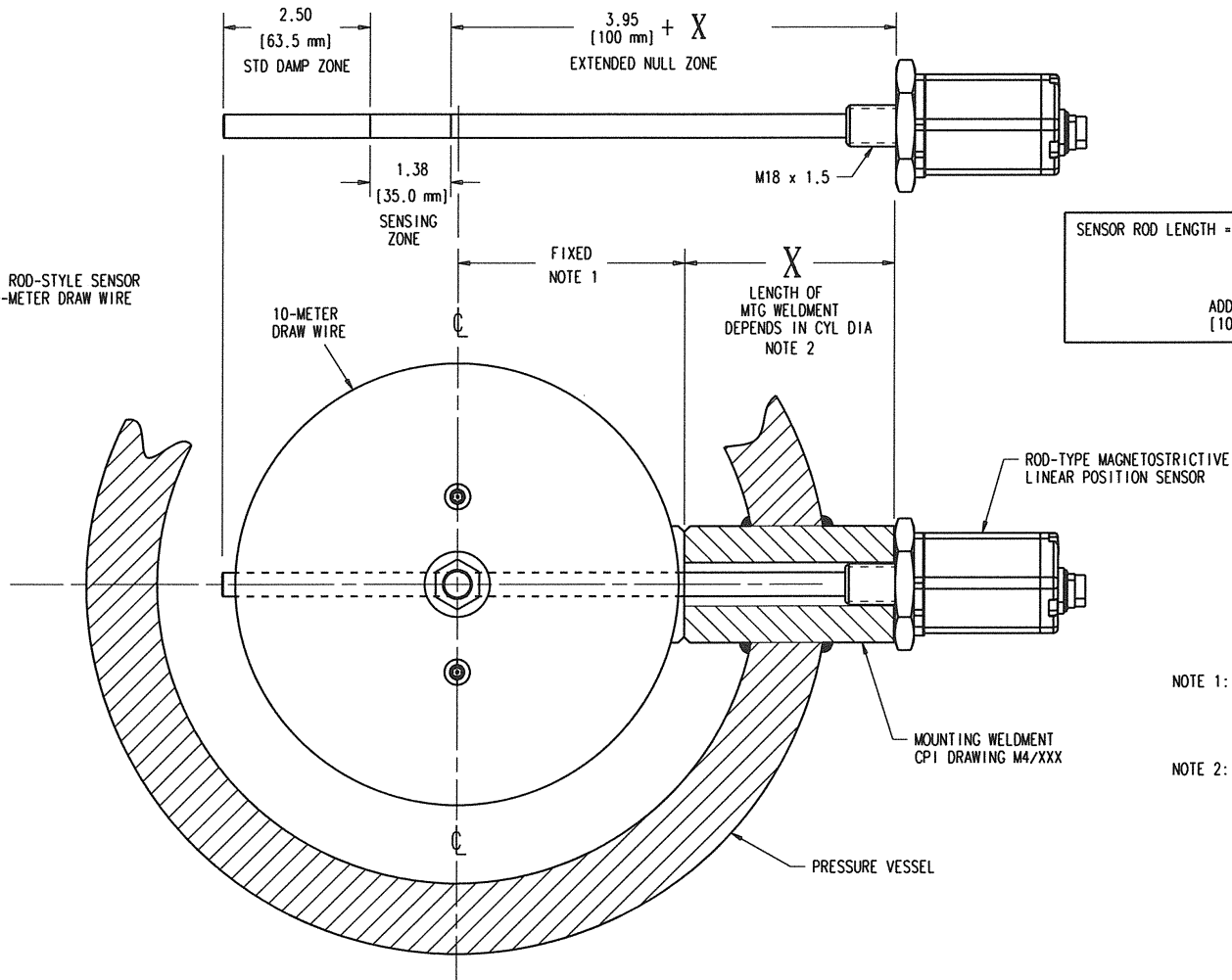


SIZING GUIDE FOR ROD-STYLE SENSOR
USED WITH CPI 10-METER DRAW WIRE



SENSOR ROD LENGTH = [NULL ZONE] + [SENSING ZONE] + [DAMPING ZONE]		
↑	↑	↑
ADD 3.95in TO "X" [100mm]	35 mm	2.5in TYPICAL [63mm TYPICAL]

NOTE 1: MOUNTING WELDMENT INSTALLATION DISTANCE IS
FIXED FROM THE CENTER OF PRESSURE VESSEL
SEE CPI DRAWING M4/XXX

NOTE 2: DIMENSION "X" IS THE LENGTH OF THE MOUNTING WELDMENT.

					UNLESS OTHERWISE SPECIFIED DIMENSIONS ARE IN INCHES		APPROVALS		DATE		CPI CONTROL PRODUCTS, INC. EAST HANOVER, NEW JERSEY WWW.CPI-NJ.COM	
					TOLERANCES ARE:		DRAWN ROG		5/26/16			
							CHECKED				TITLE SIZING GUIDE FOR ROD-TYPE SENSOR USED WITH 10 METER DRAW WIRE	
							ISSUED ECN-6564 <i>GRS</i> 6/2/16					
REVISIONS THE INFORMATION FURNISHED HEREIN IS THE PROPERTY OF CONTROL PRODUCTS, INC. AND SHALL NOT BE USED, DISCLOSED TO OTHERS, OR COPIED WITHOUT THE EXPRESS WRITTEN CONSENT OF CONTROL PRODUCTS, INC.					MATERIAL		FINISH AND HEAT TREAT		DO NOT SCALE DRAWING		SIZE B	
									SCALE 1:2		DRAWING NO. ES-I-174	
											SHEET 1 OF 1	