

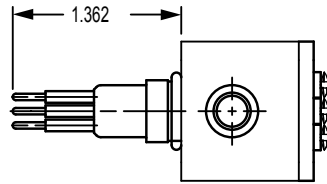
**WARNING!**  
 THIS PRODUCT IS INTENDED FOR USE BY  
 QUALIFIED TECHNICAL PERSONNEL ONLY.  
 IMPROPER OPERATION OF ROBOTIC SYSTEMS  
 MAY RESULT IN SERIOUS INJURY OR DEATH.

# SC451-XX

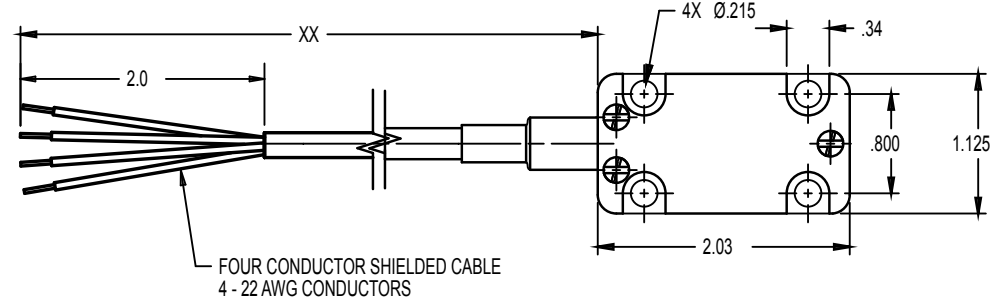
DRAWING NO. **SC451**

BASE PART NUMBER

CABLE LENGTH SPECIFIED IN INCHES  
 TOLERANCE PER CPI DRAWING ES-1-55



WIRING SEQUENCE  
 (SEE FIG. 1)  
 BLUE  
 WHITE  
 BLACK  
 BROWN



FOUR CONDUCTOR SHIELDED CABLE  
 4 - 22 AWG CONDUCTORS

WIRING SEQUENCE (SEE FIG. 1)  
 1 BLUE - REF: SENSOR WIRE BROWN - P1  
 2 WHITE - REF: SENSOR WIRE YELLOW - P2  
 3 BLACK - REF: SENSOR WIRE RED - S1  
 4 BROWN - REF: SENSOR WIRE BLACK - S2

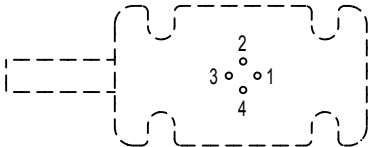
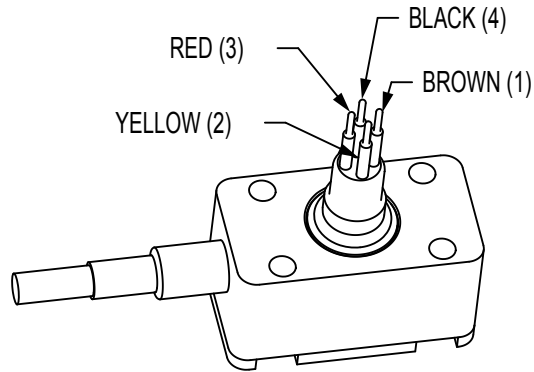
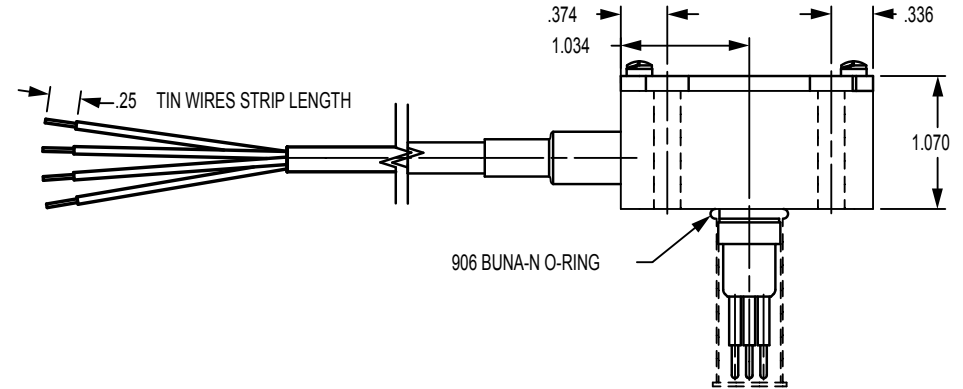


FIG. 1 - PIN REFERENCE  
 TOP VIEW



SENSOR WIRE COLOR CONNECTION



906 BUNA-N O-RING

**NOTES:**

1. PRESSURE RATING: 5000 PSI OPERATING
2. MOUNTS WITH FOUR 10-32 THD GRADE 8 SOCKET HEAD CAP SCREWS.
3. PROPER APPLICATION OF THIS PRODUCT IS THE RESPONSIBILITY OF THE USER.

C	ECN6487		GHS		UNLESS OTHERWISE SPECIFIED DIMENSIONS ARE IN INCHES				APPROVALS	DATE
B	ECN6352	4/30/15	GHS	ROG	TOLERANCES ARE:				DRAWN RWD	7/12/12
A	ECN6350	4/7/15	GHS	ROG	X ± 1	XX ± 03	XXX ± 015	ANG ± 5°	CHECKED	
REV	DESCRIPTION	DATE	BY	APP	MATERIAL				ISSUED	ECN5863 KDK
REVISIONS					FINISH AND HEAT TREAT				DO NOT SCALE DRAWING	
THE INFORMATION FURNISHED HEREIN IS THE PROPERTY OF CONTROL PRODUCTS, INC. AND SHALL NOT BE USED, DISCLOSED TO OTHERS, OR COPIED WITHOUT THE EXPRESS WRITTEN CONSENT OF CONTROL PRODUCTS, INC.										

**CPI** CONTROL PRODUCTS, INC.  
 EAST HANOVER, NEW JERSEY WWW.CPI-NJ.COM

TITLE  
**HIGH PRESSURE CONNECTOR  
 INSTALLATION DRAWING**

SIZE	SCALE	DRAWING NO.	SHEET
B	NONE	<b>SC451</b>	1 OF 1