

NOTES:

MECHANICAL SPECIFICATIONS

1. LINEAR SENSOR FOR INTERNAL CYLINDER INSTALLATIONS.
2. MAXIMUM RANGE: 40 INCHES (1 METER) CONSULT FACTORY FOR LONGER RANGES.
3. OPERATING TEMPERATURE LIMITS: -20F TO 300F (-29C TO 149C)
LOWER TEMPERATURE OPTION AVAILABLE, CONSULT FACTORY.
4. SHOCK AND VIBRATION TOLERANCE: MIL-STD 810C
5. OPERATING PRESSURE: 0-5000 PSI. HIGHER PRESSURE OPTION AVAILABLE.
6. STANDARD SHOCK-ABSORBING SWIVEL CABLE CONNECTOR
- REQUIRES A 7/16-20 THREAD HOLE; 1 INCH DEEP MIN.
7. SENSOR MAY BE MOUNTED IN ANY ORIENTATION.
8. FLUID COMPATIBILITY: ALL NON-CONDUCTING LIQUIDS AND GASES
NOTE: SENSOR WILL NOT OPERATE IN FROZEN MEDIA

ELECTRICAL SPECIFICATIONS

9. REQUIRES SEPARATE, REMOTE SIGNAL CONDITIONER.
RECOMMENDED SIGNAL CONDITIONER IS CPI P/N SC240.
10. INPUTS: 10-30 VDC
11. OUTPUTS: 0-5VDC, 0-10VDC, 0.5-4.5VDC, ±10VDC
±5VDC, 4-20 mA, DIGITAL (RS485)
12. GAIN AND OFFSET CALIBRATION: AUTOMATIC PUSHBUTTON CALIBRATION

PERFORMANCE SPECIFICATIONS

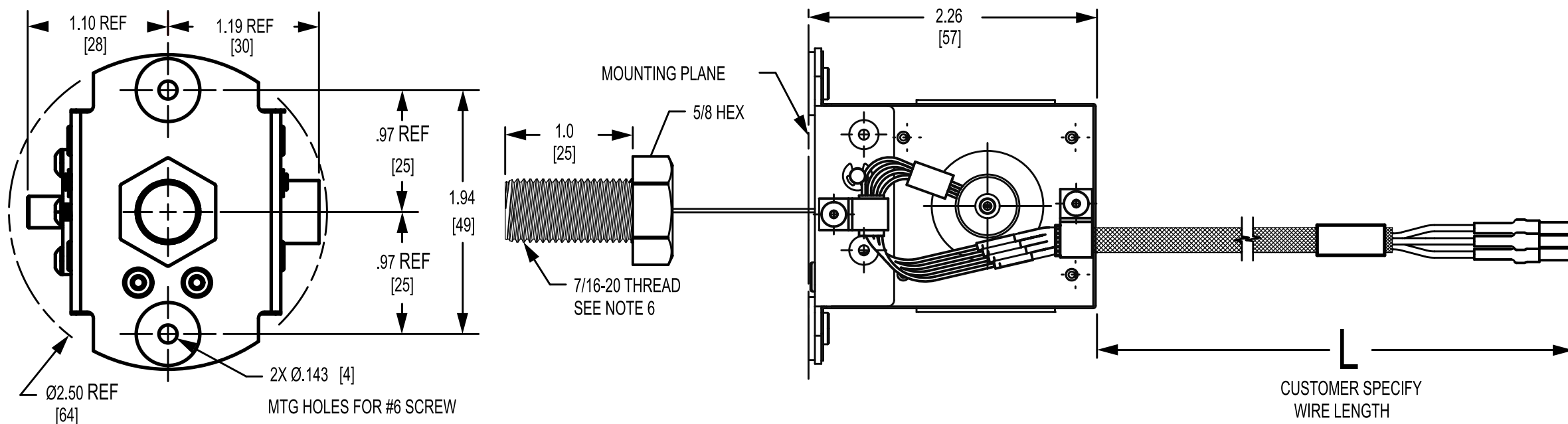
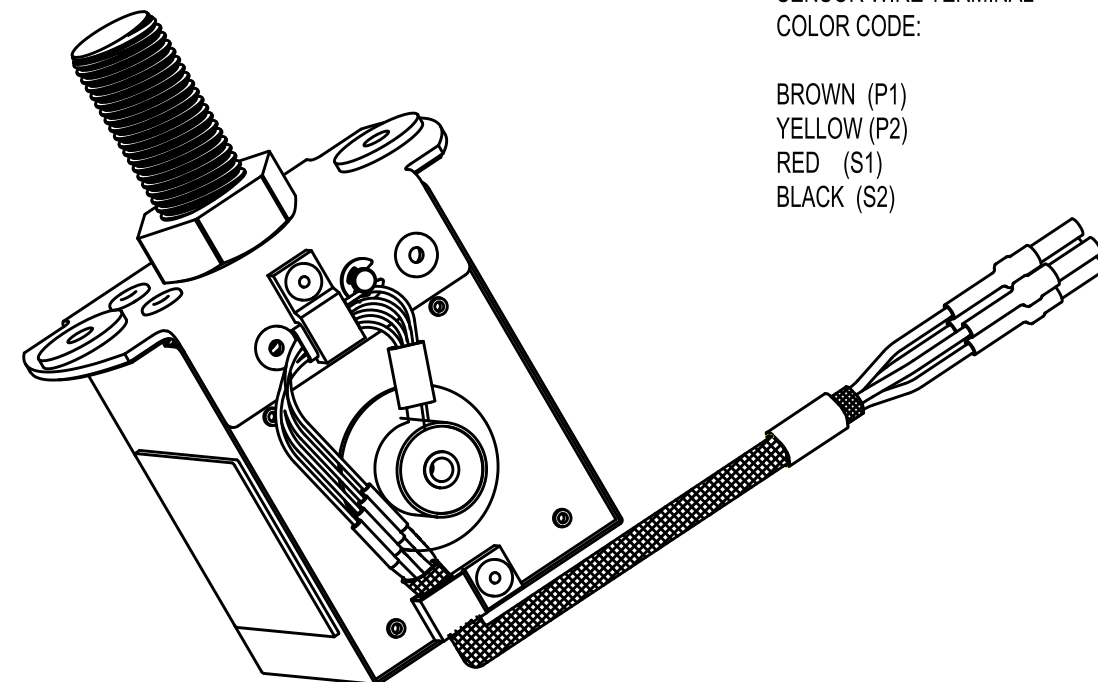
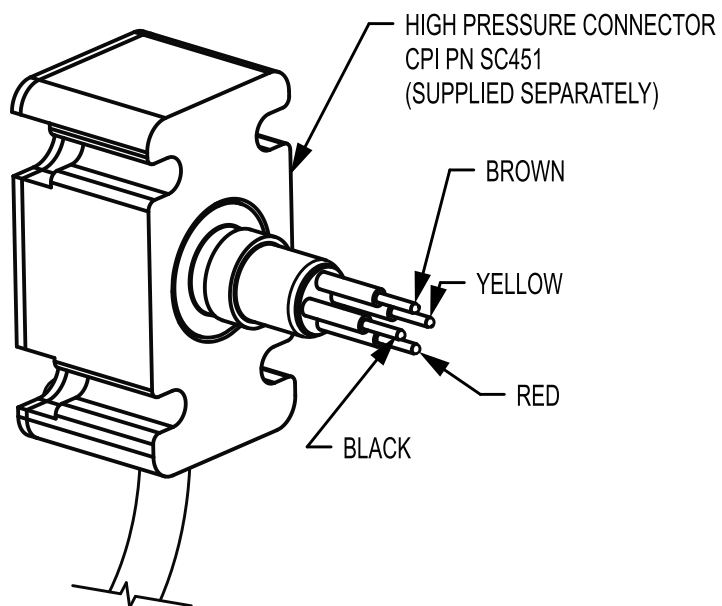
13. RESOLUTION: ±.05 IN / mV 0-10VDC OUTPUT
14. NON-LINEARITY CHARACTERISTIC: 2.0% OF FSO (MAX)
15. POWER-UP MEASUREMENT STATE: ABSOLUTE OUTPUT.
NO HOMING REQUIRED.
16. EMC COMPLIANCE WHEN USED W/ RECOMMENDED SIGNAL CONDITIONER:
EMISSIONS: EN55011:2007
IMMUNITY: EN61000-4-2:2009,
EN61000-4-4:2004, EN61000-4-6:2009,
EN61000-4-3:2010+A2:2010
17. CONSULT FACTORY FOR WIRE LENGTH.
18. DO NOT OPERATE SENSOR MANUALLY.
CONSULT FACTORY FOR INSTALLATION GUIDELINES.
19. PROPER APPLICATION OF THIS PRODUCT IS THE RESPONSIBILITY OF THE USER.

NOTE:
WIRE LEADS AND CONNECTOR TERMINALS ARE FRAGILE
USE CAUTION WHEN HANDLING OR CONNECTING

CONNECT WIRE TERMINALS
TO SIGNAL CONNECTOR
AS SHOWN BY COLOR CODE

SENSOR WIRE TERMINAL
COLOR CODE:

- BROWN (P1)
- YELLOW (P2)
- RED (S1)
- BLACK (S2)



DIMENSIONS IN INCHES AND DIMENSIONS IN BRACKET IN MM

INSTALLATION NOTES:

- A.) SENSOR REQUIRES A MINIMUM BORE DIAMETER OF 2.50 INCHES [64mm]
- B.) SENSOR REQUIRES A MINIMUM DEPTH OF 2.5 INCHES [64mm] FROM TOP OF MOUNTING PLATE

				UNLESS OTHERWISE SPECIFIED DIMENSIONS ARE IN INCHES		APPROVALS		DATE		CPI CONTROL PRODUCTS, INC.	
				TOLERANCES ARE:		DRAWN GHS		2/11/16		EAST HANOVER, NEW JERSEY WWW.CPI-NJ.COM	
				.X ±.1 .XX ±.03 .XXX ±.015 ANG ± 5°		CHECKED				TITLE	
REV				DESCRIPTION		DATE		BY		ISSUED ECN6515	
REVISIONS										SL1390 - LINEAR POSITION SENSOR (0-1 METER / 0-40 INCHES)	
THE INFORMATION FURNISHED HEREIN IS THE PROPERTY OF CONTROL PRODUCTS, INC. AND SHALL NOT BE USED, DISCLOSED TO OTHERS, OR COPIED WITHOUT THE EXPRESS WRITTEN CONSENT OF CONTROL PRODUCTS, INC.				FINISH AND HEAT TREAT		DO NOT SCALE DRAWING		SIZE B		SCALE NONE	
								DRAWING NO. SL1390		SHEET 1 OF 1	