

NOTES:

MECHANICAL SPECIFICATIONS

1. LINEAR SENSOR FOR EXTERNAL CYLINDER INSTALLATIONS.
2. MAXIMUM RANGE: 40 INCHES (1 METER) CONSULT FACTORY FOR LONGER RANGES.
3. OPERATING TEMPERATURE LIMITS:
CABLE AND CONDUIT: -20F TO 300F (-29C TO 150C)
SENSOR ENCLOSURE: -20F TO 250F (-29C TO 125C)
LOWER TEMPERATURE OPTION AVAILABLE, CONSULT FACTORY.
4. SHOCK AND VIBRATION TOLERANCE: MIL-STD 810C
5. OPERATING PRESSURE: 0-3500 PSI. HIGHER PRESSURE OPTION AVAILABLE.
6. STANDARD SHOCK-ABSORBING SWIVEL CABLE CONNECTOR - REQUIRES A 7/16-20 THREAD HOLE; 1 INCH DEEP MIN.
7. SENSOR MAY BE MOUNTED IN ANY ORIENTATION.
8. FLUID COMPATIBILITY: ALL NON-CONDUCTING LIQUIDS AND GASES
NOTE: SENSOR WILL NOT OPERATE IN FROZEN MEDIA

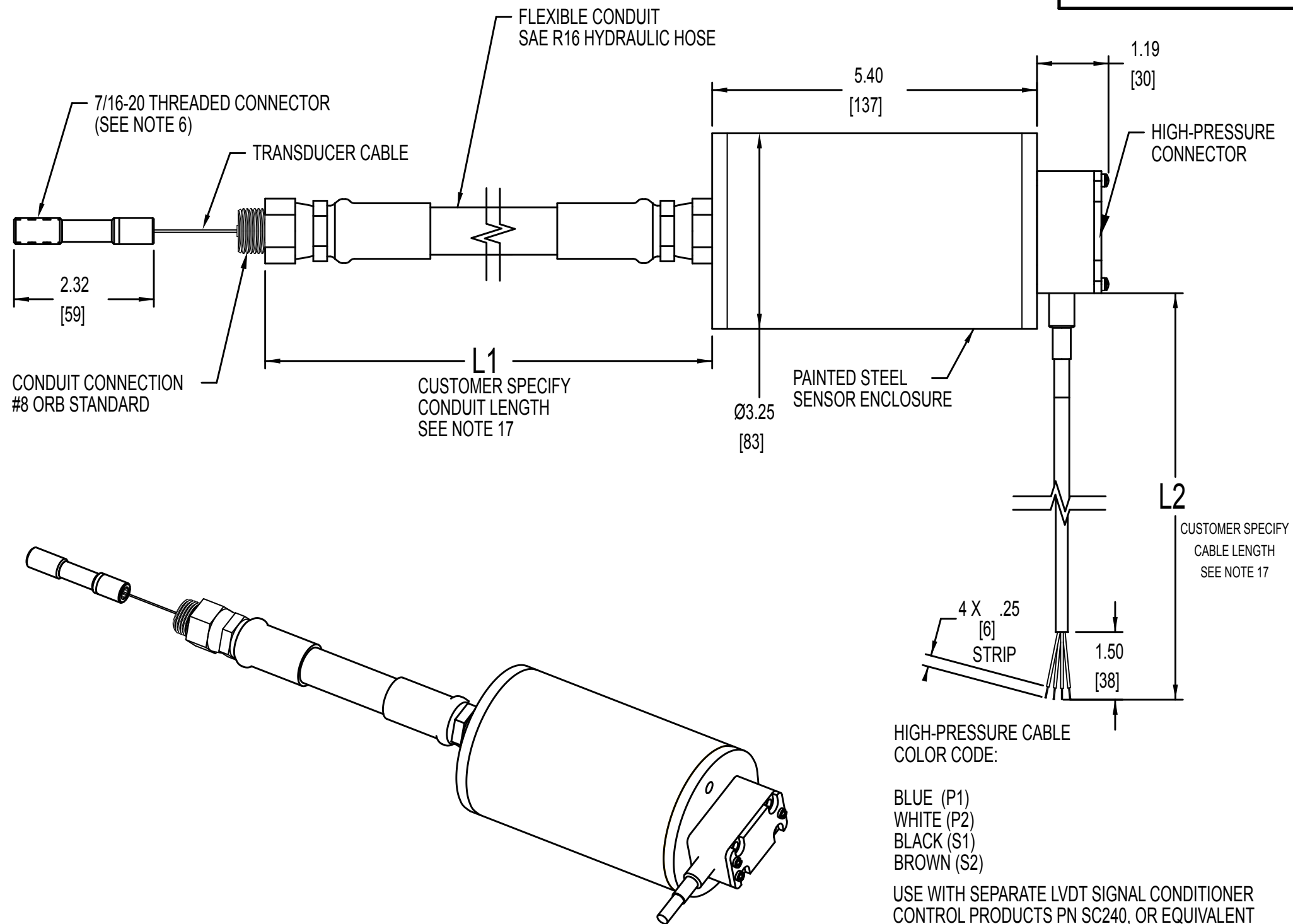
ELECTRICAL SPECIFICATIONS

9. REQUIRES SEPARATE, REMOTE SIGNAL CONDITIONER. RECOMMENDED SIGNAL CONDITIONER IS CPI P/N SC240.
10. INPUTS: 10-30 VDC
11. OUTPUTS: 0-5VDC, 0-10VDC, 0.5-4.5VDC, ±10VDC ±5VDC, 4-20 mA, DIGITAL (RS485)
12. GAIN AND OFFSET CALIBRATION: AUTOMATIC PUSHBUTTON CALIBRATION

PERFORMANCE SPECIFICATIONS

13. RESOLUTION: ±.05 IN / mV 0-10VDC OUTPUT
14. NON-LINEARITY CHARACTERISTIC: 2.0% OF FSO (MAX)
15. POWER-UP MEASUREMENT STATE: ABSOLUTE OUTPUT. NO HOMING REQUIRED.
16. EMC COMPLIANCE WHEN USED W/ RECOMMENDED SIGNAL CONDITIONER:
EMISSIONS: EN55011:2007
IMMUNITY: EN61000-4-2:2009,
EN61000-4-4:2004, EN61000-4-6:2009,
EN61000-4-3:2010+A2:2010
17. CONSULT FACTORY FOR CONDUIT LENGTH AND CABLE LENGTH.
18. DO NOT OPERATE SENSOR MANUALLY. CONSULT FACTORY FOR INSTALLATION GUIDELINES.
19. PROPER APPLICATION OF THIS PRODUCT IS THE RESPONSIBILITY OF THE USER.

DRAWING NO. SL0390



DIMENSIONS IN INCHES AND DIMENSIONS IN BRACKET IN MM

					UNLESS OTHERWISE SPECIFIED DIMENSIONS ARE IN INCHES		APPROVALS		DATE		CPI CONTROL PRODUCTS, INC. EAST HANOVER, NEW JERSEY WWW.CPI-NJ.COM	
					TOLERANCES ARE:		DRAWN GHS		2/11/16			
					X ±.1 XX ±.03 XXX ±.015 ANG ± 5°		CHECKED				TITLE SL0390 - LINEAR POSITION SENSOR (0-1 METERS / 0-40 INCHES)	
REV DESCRIPTION DATE BY APP					MATERIAL		ISSUED ECN6515					
REVISIONS											SIZE B SCALE NONE DRAWING NO. SL0390 SHEET 1 OF 1	
THE INFORMATION FURNISHED HEREIN IS THE PROPERTY OF CONTROL PRODUCTS, INC. AND SHALL NOT BE USED, DISCLOSED TO OTHERS, OR COPIED WITHOUT THE EXPRESS WRITTEN CONSENT OF CONTROL PRODUCTS, INC.					FINISH AND HEAT TREAT		DO NOT SCALE DRAWING					