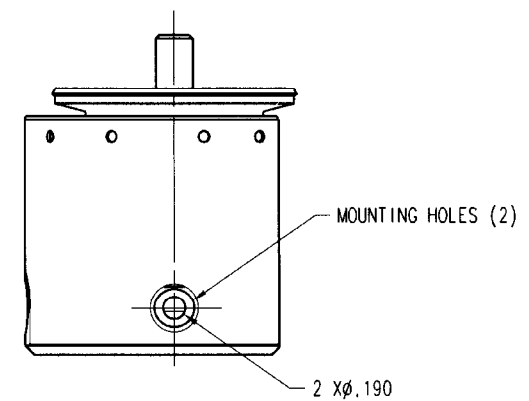
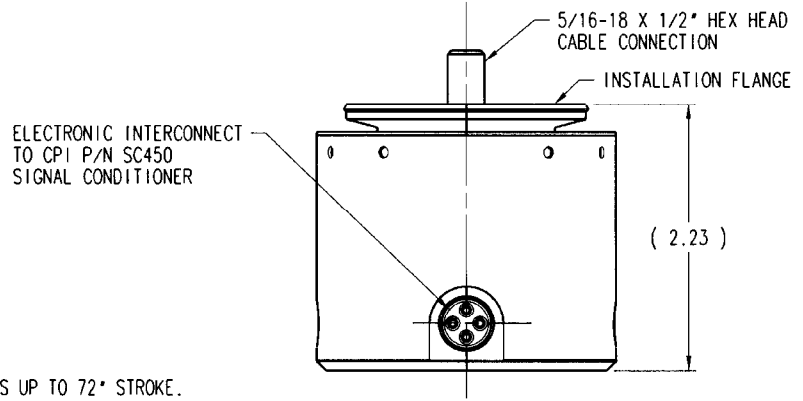
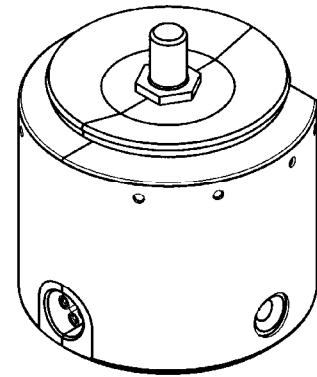
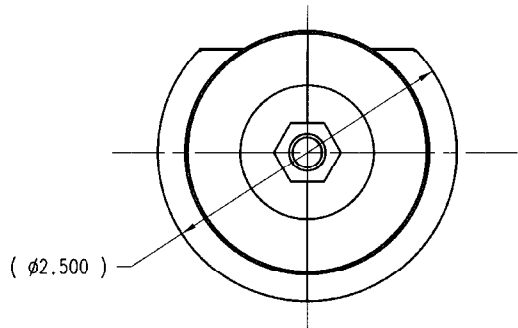


**WARNING!**  
 THIS PRODUCT IS INTENDED FOR USE BY  
 QUALIFIED TECHNICAL PERSONNEL ONLY.  
 IMPROPER OPERATION OF ROBOTIC SYSTEMS  
 MAY RESULT IN SERIOUS INJURY OR DEATH.

DRAWING NO. **SL720**

**SL720**

PART NUMBER  
 72" MAX STROKE LENGTH

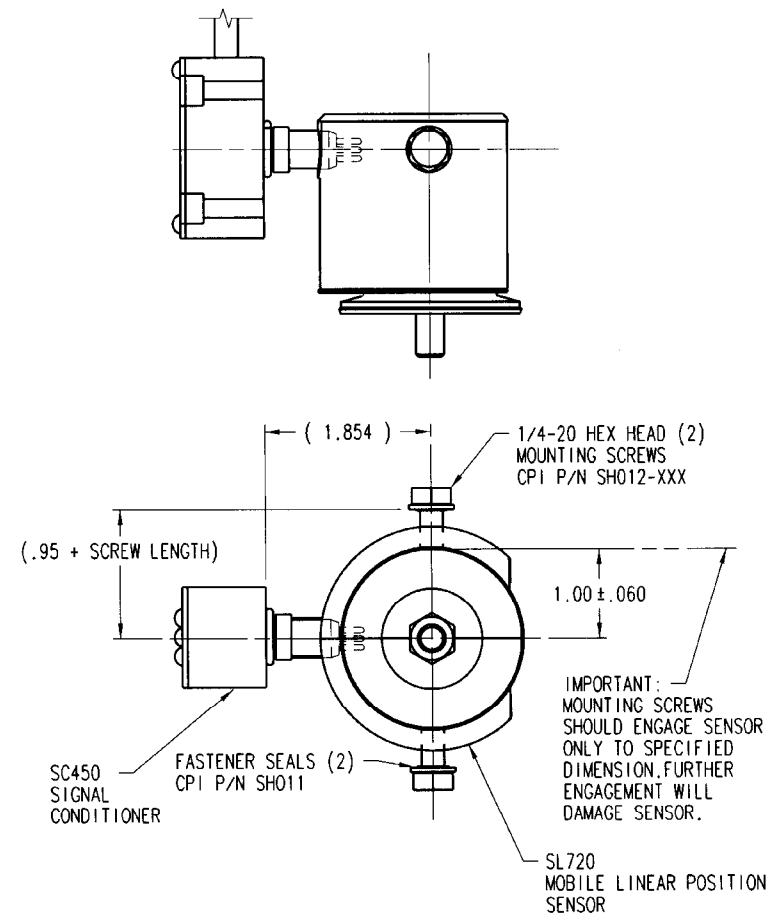
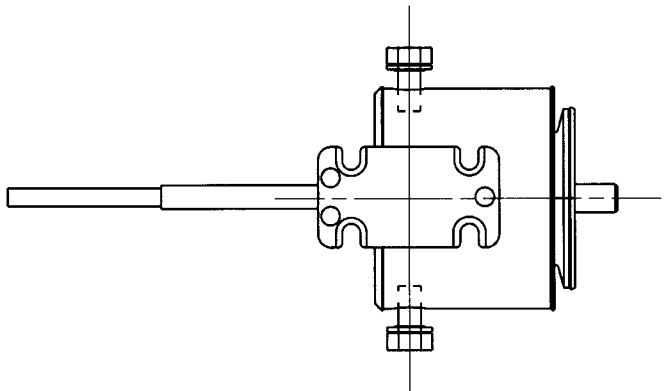


- NOTES:**
1. SENSOR INSTALLS IN CYLINDERS UP TO 72" STROKE.
  2. OPERATING PRESSURE: 5000 PSI WORKING
  3. OPERATING TEMPERATURE: -13°F(-25°C) TO 185°F(85°C)
  4. STORAGE TEMPERATURE : -40°F(-40°C) TO 185°F(85°C)
  5. ISO CLEANLINESS RECOMMENDATION: 19/18/15
  6. INSTALLATION REQUIREMENTS APPEAR ON CPI DRAWINGS ES-1-148 AND ES-1-150. ①
  7. OPERATION OF THE SL720 REQUIRES AN SC450 SIGNAL CONDITIONER AND SCREWS, TWO SENSOR MOUNTING SCREWS AND TWO SHD12 SEALING WASHERS WHICH MAY BE ORDERED AS AN SH720 MOUNTING KIT.
  8. PROPER APPLICATION OF THIS PRODUCT IS THE RESPONSIBILITY OF THE USER.

				UNLESS OTHERWISE SPECIFIED DIMENSIONS ARE IN INCHES		APPROVALS		DATE		<b>CPI CONTROL PRODUCTS, INC.</b> EAST HANOVER, NEW JERSEY WWW.CPI-NJ.COM	
D	ECN5377	10/15/08	RWD	BG	DRAWN RWD		8/15/05				
C	ECN5361	08/23/08	KDK	RG	CHECKED				TITLE <b>MOBILE LINEAR POSITION SENSOR          INSTALLATION DRAWING</b>		
REV	DESCRIPTION	DATE	BY	APP	ISSUED		ECN4883RG 08/16/05				
REVISIONS					MATERIAL				SIZE B SCALE NONE DRAWING NO. SL720 SHEET 1 OF 1		
THE INFORMATION FURNISHED HEREIN IS THE PROPERTY OF CONTROL PRODUCTS, INC. AND SHALL NOT BE USED, DISCLOSED TO OTHERS, OR COPIED WITHOUT THE EXPRESS WRITTEN CONSENT OF CONTROL PRODUCTS, INC.					FINISH AND HEAT TREAT		DO NOT SCALE DRAWING				



**WARNING!**  
 THIS PRODUCT IS INTENDED FOR USE BY  
 QUALIFIED TECHNICAL PERSONNEL ONLY.  
 IMPROPER OPERATION OF ROBOTIC SYSTEMS  
 MAY RESULT IN SERIOUS INJURY OR DEATH.

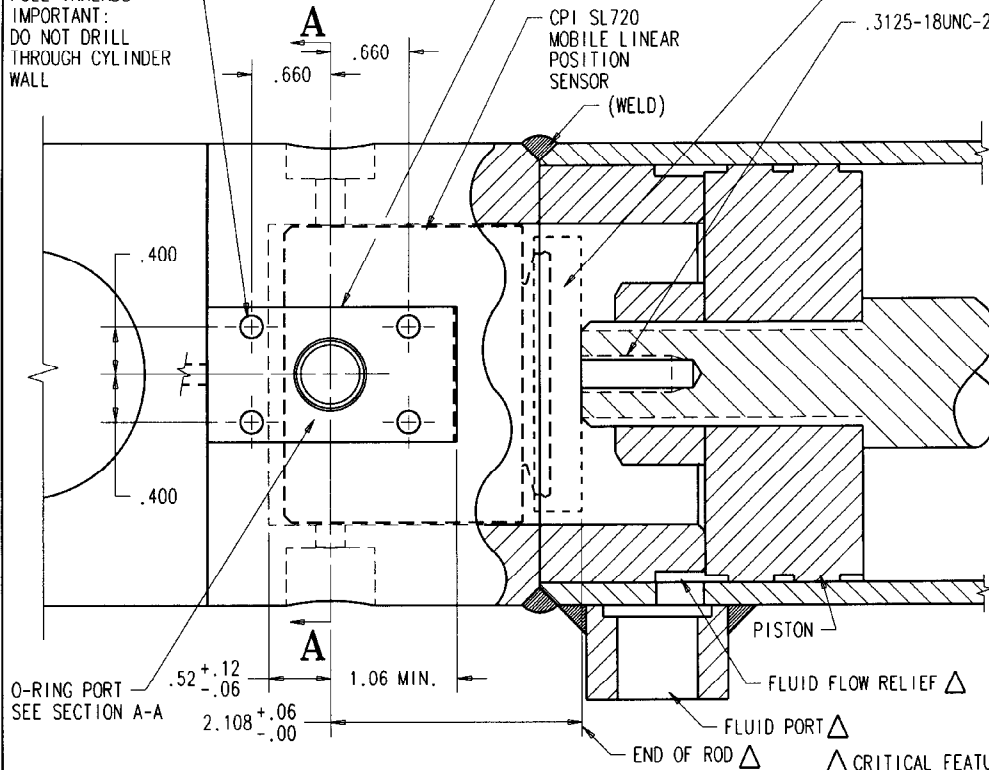


**NOTES:**

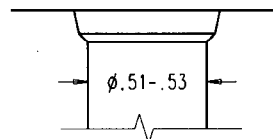
1. THIS DRAWING IS INTENDED TO ILLUSTRATE THE REQUIRED DEPTH RELATIONSHIP OF THE MOUNTING SCREWS AND THE RELATIONSHIP OF ALL THE REQUIRED COMPONENTS.
2. PROPER APPLICATION OF THIS PRODUCT IS THE RESPONSIBILITY OF THE USER.

UNLESS OTHERWISE SPECIFIED DIMENSIONS ARE IN INCHES				APPROVALS		DATE		<b>CPI CONTROL PRODUCTS, INC.</b> EAST HANOVER, NEW JERSEY WWW.CPI-NJ.COM	
B	ECNS381	10/20/08	RWD	RG	DRAWN	KDK	05/18/07		
A	ECNS141	6/22/07	KDK	RG	CHECKED			SL720 MOUNTING SPECIFICATION	
REV	DESCRIPTION	DATE	BY	APP	MATERIAL	ISSUED	ECNS140RG	05/21/07	COMPONENT RELATIONSHIPS
REVISIONS				FINISH AND HEAT TREAT		DO NOT SCALE DRAWING		SIZE	SHEET
THE INFORMATION FURNISHED HEREIN IS THE PROPERTY OF CONTROL PRODUCTS, INC. AND SHALL NOT BE USED, DISCLOSED TO OTHERS, OR COPIED WITHOUT THE EXPRESS WRITTEN CONSENT OF CONTROL PRODUCTS, INC.								B	NONE
								DRAWING NO.	1 OF 1
								ES-1-148	

4X DRILL AND TAP  
10-32 x .25 DEEP  
(MINIMUM)  
FULL THREADS  
IMPORTANT:  
DO NOT DRILL  
THROUGH CYLINDER  
WALL

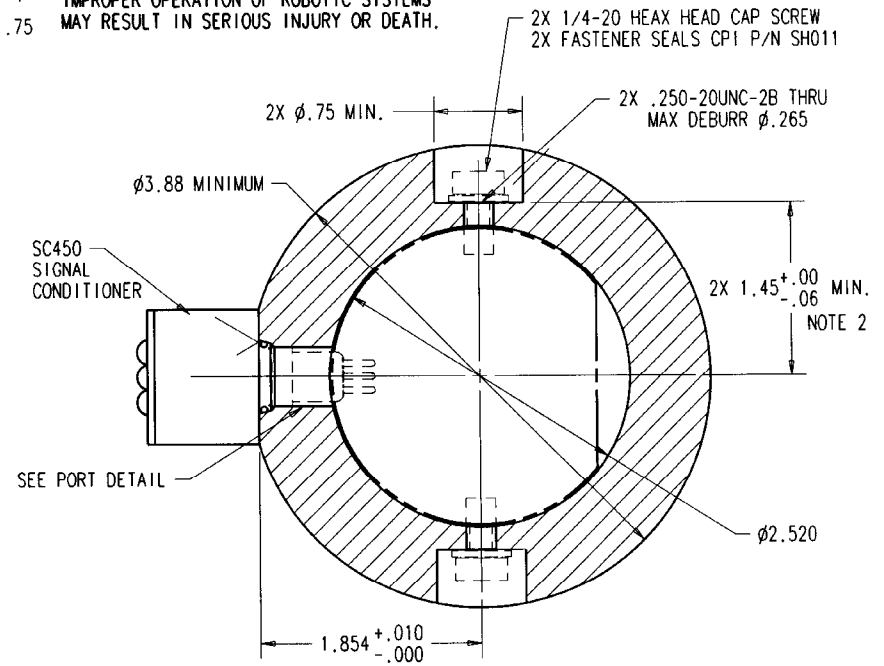


MODIFIED SAE-6 O-RING PORT  
NO SPOTFACE OR THREADS  
CENTER HOLE THRU.



DETAIL

**WARNING!**  
THIS PRODUCT IS INTENDED FOR USE BY  
QUALIFIED TECHNICAL PERSONNEL ONLY.  
IMPROPER OPERATION OF ROBOTIC SYSTEMS  
MAY RESULT IN SERIOUS INJURY OR DEATH.



SECTION A-A  
THROUGH WHOLE END CAP

$\Delta$  CRITICAL FEATURES

1. DESIGN MUST PROVIDE END STOP FOR PISTON. IMPROPER END STOP MAY RESULT IN SENSOR DAMAGE.
2. FLUID FLOW SHOULD NOT BE DIRECTED AT SENSOR OR CABLE.
3. IN SOME APPLICATIONS IT MAY BE ADVISABLE TO PROVIDE A FLUID FLOW PATH TO THE CENTER OF THE PISTON IN A RETRACTED STATE.

NOTES:

1. THIS DRAWING SHOWS A TYPICAL INSTALLATION. SL720 WILL FIT ANY CYLINDER BORE AND DIAMETER.
2. SEE ES-1-148 FOR SCREW SPECIFICATION ALTERNATIVES.
3. PROPER APPLICATION OF THIS PRODUCT IS THE RESPONSIBILITY OF THE USER.

				UNLESS OTHERWISE SPECIFIED DIMENSIONS ARE IN INCHES		APPROVALS		DATE		CPI CONTROL PRODUCTS, INC. EAST HANOVER, NEW JERSEY WWW.CPI-NJ.COM	
				TOLERANCES ARE:		DRAWN RWD		3/27/08		TITLE	
				.X $\pm$ .1   .XX $\pm$ .01   .XXX $\pm$ .005   ANG $\pm$ 2°		CHECKED				SENSOR MOUNTING SPECIFICATION FOR SL720 AND SC450-2-XX	
REV DESCRIPTION DATE BY APP				MATERIAL		ISSUED EGN 5377 RB		10/15/08		SIZE SCALE DRAWING NO. SHEET	
REVISIONS										B NONE ES-1-150 1 OF 1	
THE INFORMATION FURNISHED HEREIN IS THE PROPERTY OF CONTROL PRODUCTS, INC. AND SHALL NOT BE USED, DISCLOSED TO OTHERS, OR COPIED WITHOUT THE EXPRESS WRITTEN CONSENT OF CONTROL PRODUCTS, INC.				FINISH AND HEAT TREAT		DO NOT SCALE DRAWING					