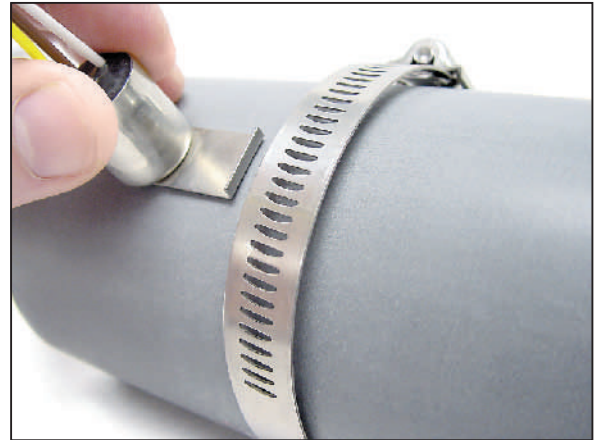


## Flexible mounting solution for harsh environments

Control Products, Inc. Snap-Stats® are easily mounted to sense the temperature of pipes, hoses, and virtually any enclosure. Clamps are rugged stainless steel and switches are environmentally sealed. Several switches may be positioned anywhere on the clamp, providing multiple temperature setpoints.



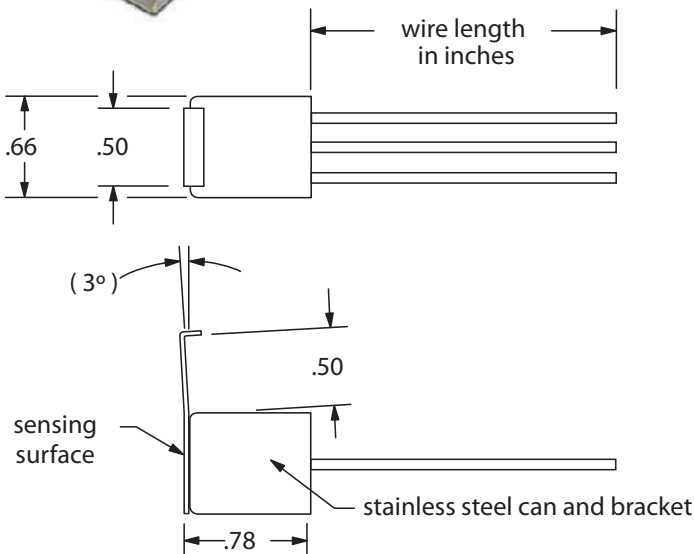
Each switch is snap-action, SPDT, enabling both control and indication at the same time. With setpoints from 0°F to 350°F, applications include freeze detection, process temperature control, and over-temperature protection.



Snap-Stat® thermal switches have a bimetal snap disc that actuates a miniature microswitch. This double-snap action makes these switches virtually immune to shock and vibration. Epoxy sealing makes them ideal for demanding industrial applications.

### Applications

- cooling jackets / chillers
- transfer piping temperature
- process zone control
- heat recovery systems
- conveyor braking systems
- de-icing / anti-freeze controls
- compressor overheat
- chemical feed systems
- oven exhaust overtemp
- pump overheat shutdown
- pump run / dry protection
- runaway heater shutdown
- dryer exhaust overtemp



### AD173 Specifications

<b>Calibration Temp.:</b>	0°F min. to 350°F max.	<b>Gold contacts:</b>	28 VDC / 120 VAC - 1 Amp resistive, 1/2 Amp inductive
<b>Safe momentary undershoot/ overshoot:</b>	-65°F to +400°F	(for special applications such as dry circuits or long periods of inactivity)	
<b>Tolerance:</b>	± 7°F (standard), ± 5°F (special)	<b>Endurance:</b>	50,000 electromechanical cycles
<b>Repeatability:</b>	± 3°F	(standard electrical rating)	
<b>Actuation / Deactuation differential:</b>	10°F - 25°F (non-adjustable)	<b>Electrical terminations:</b>	Leads are insulated from mounting, 20 AWG stranded, Teflon insulation.
<b>Electrical Action:</b>	SPDT (standard), or SPST (specify NO or NC)		
<b>Electrical Rating:</b>			
Standard:	28 VDC / 120 VAC 5 Amp resistive, 3 Amp inductive		
220 VAC:	5 Amp resistive		

See our complete Thermal Switch and Waterproof Switch product lines at

[www.cpi-nj.com](http://www.cpi-nj.com)

[sales@cpi-nj.com](mailto:sales@cpi-nj.com)

Control Products, Inc.  
E. Hanover, NJ

Ph: (973) 887-9400  
Fx: (973) 887-5083

